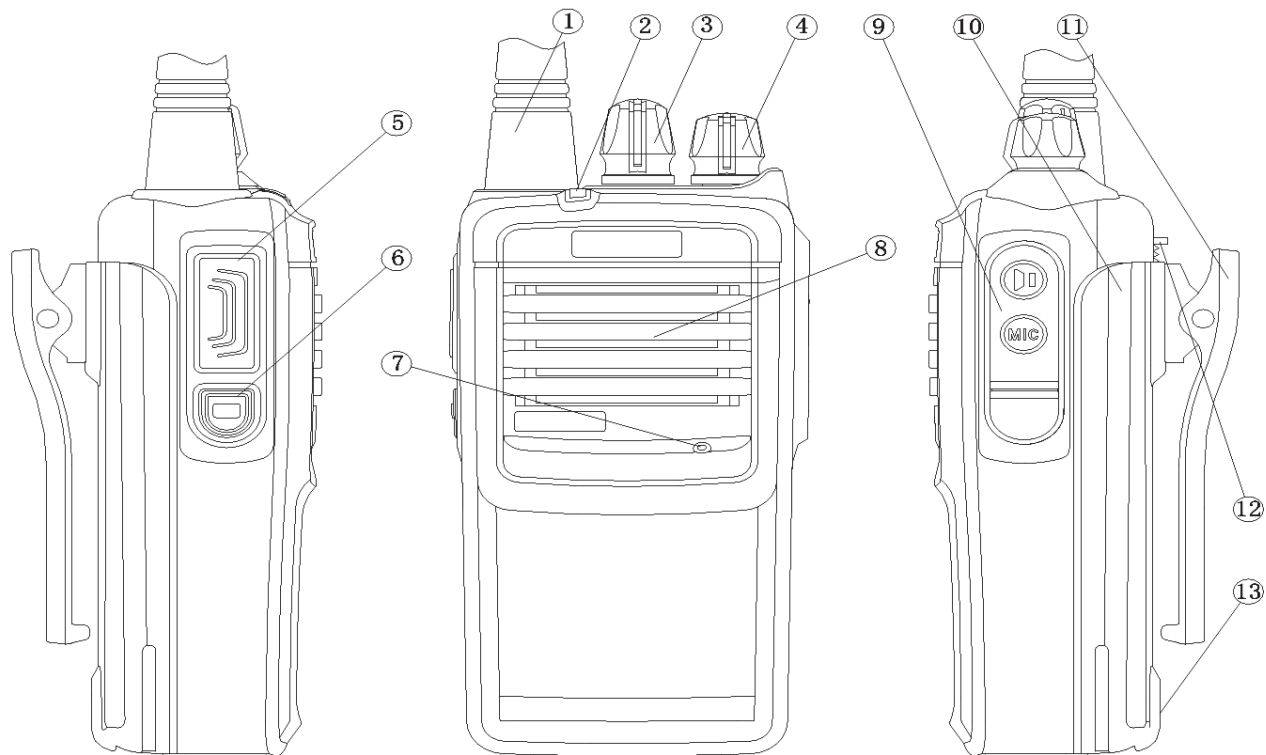


Getting Started Guide

AWR-8000



- | | |
|---|--|
| 1. Antenna | 7. Microphone |
| 2. LED Indicator | 8. Speaker |
| 3. Channel Knob | 9. Headset Jack / Programming Cable Jack |
| 4. Power Switch / Volume Knob | 10. Battery |
| 5. SF 1, Programmable Function 1 Key (default: PTT) | 11. Belt Clip |
| 6. SF 2, Programmable Function Key, (Default: Monitor @Long Press, Scan @Short Press) | 12. Battery Latch |
| | 13. Charger Terminal |